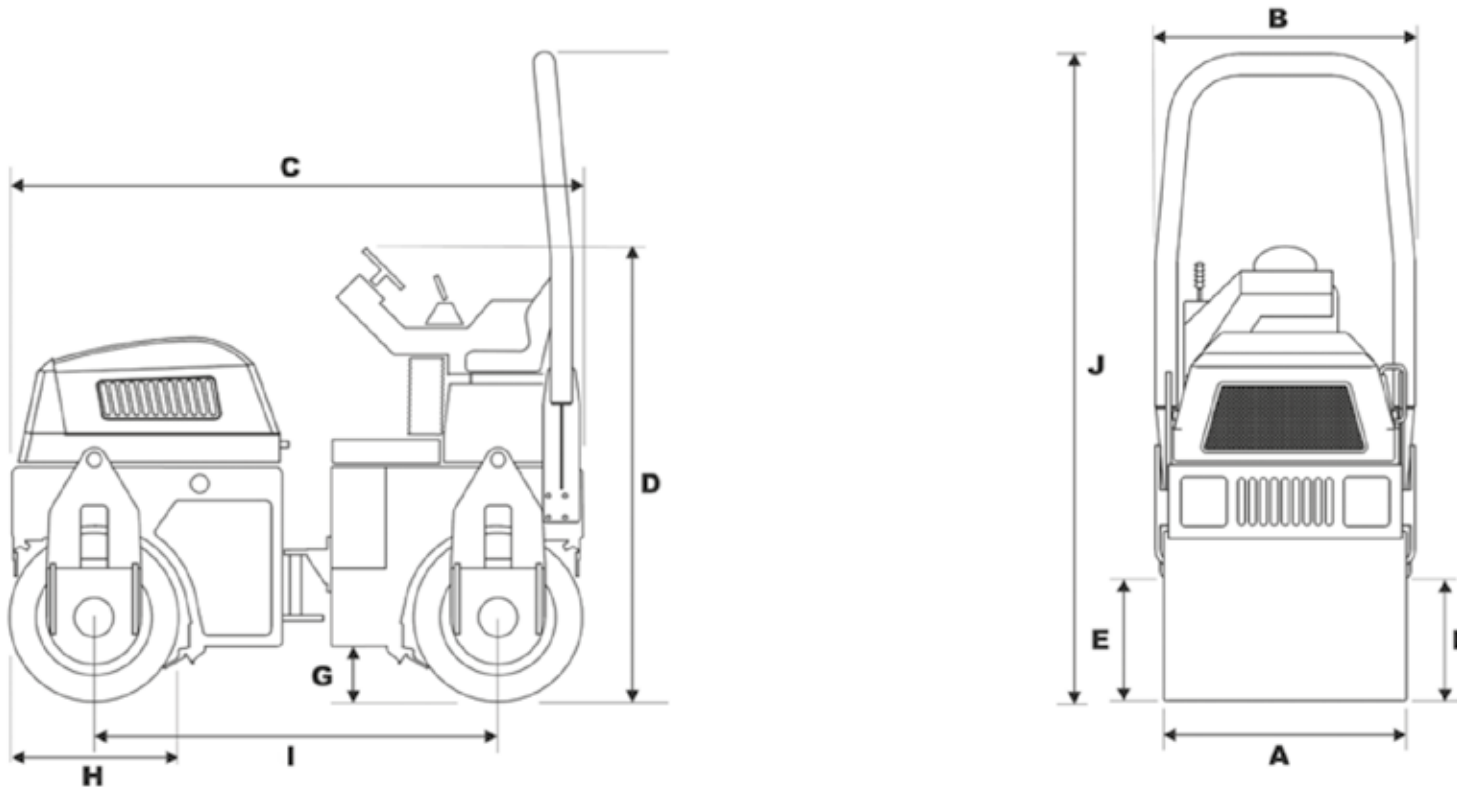


# → TECHNICAL DATA COMPACT TANDEM ROLLERS

DIMENSIONS mm (ft in)	TV800	TV900	TV1000	TV1200	TV1300	TV1400
<b>A</b> Drum Width	800 (2'7")	900 (2'11")	1000 (3'3")	1200 (3'11")	1300 (4'3")	1400 (4'7")
<b>B</b> Overall Width	870 (2'10")	970 (3'2")	1070 (3'6")	1270 (4'2")	1370 (4'6")	1470 (4'10")
<b>C</b> Overall Length	1860 (6'1")	1860 (6'1")	2375 (7'10")	2375 (7'10")	2375 (7'10")	2375 (7'10")
<b>D</b> Height to Top of Steering Wheel (Transport Height)	1530 (5')	1530 (5')	1940 (6'4")	1940 (6'4")	1940 (6'4")	1945 (6'4")
<b>E</b> Curb Clearance - Right	420 (1'5")	420 (1'5")	555 (1'10")	555 (1'10")	555 (1'10")	555 (1'10")
<b>F</b> Curb Clearance - Left	390 (1'3")	390 (1'3")	490 (1'7")	490 (1'7")	490 (1'7")	490 (1'7")
<b>G</b> Ground Clearance	200 (8")	200 (8")	230 (9")	230 (9")	230 (9")	230 (9")
<b>H</b> Drum Diameter	Ø550 (1'10")	Ø550 (1'10")	Ø700 (2'4")	Ø700 (2'4")	Ø700 (2'4")	706 (2'4")
<b>I</b> Wheelbase	1260 (4'2")	1260 (4'2")	1675 (5'6")	1675 (5'6")	1675 (5'6")	1675 (5'6")
<b>J</b> Height to Top of ROPS frame	2400 (7'10")	2400 (7'10")	2650 (8'8")	2650 (8'8")	2650 (8'8")	2655 (8'8")
Overhang - Left / Right	35/35 (1.3"/1.3")	35/35 (1.3"/1.3")	35/35 (1.3"/1.3")	35/35 (1.3"/1.3")	35/35 (1.3"/1.3")	35/35 (1.3"/1.3")



PERFORMANCE	TV800	TV900	TV1000	TV1200	TV1300	TV1400
Total Static Basic Weight kg (lbs)	1446 (3188)	1455 (3208)	2385 (5258)	2740 (6040.6)	3240 (7142.9)	4175 (9204.2)
Operating Weight kg (lbs) CECE	1559 (3437)	1568 (3457)	2570 (5665.8)	2925 (6448.5)	3435 (7572.8)	4390 (9678.2)
Static Linear Load kg/cm (lb/inch)	9.7 (54.3)	8.7 (48.7)	12.85 (71.9)	12.18 (68.2)	13.21 (73.9)	15.68 (87.8)
Frequency - Hz (VPM)	46/52 (2760/3120)		49/63 (2940/3780)		48/56 (2880/3360)	
Amplitude (mm)	0.5	0.5	0.5	0.6	0.5	0.5
Centrifugal Force kN (lbf)	10/12.5 (2248/2810)	10/12.5 (2248/2810)	18/29 (4046/6519)	24/38 (5395/8542)	27/37 (6070/8318)	45/61 (10116/13713)
Gradeability - without Vibration	30%	30%	30%	30%	30%	30%
Gradeability - with Vibration	40%	40%	40%	40%	40%	40%
Drum Shell Thickness mm (ft in)	10 (0.3")	10 (0.3")	10 (0.3")	10 (0.3")	10 (0.3")	10 (0.3")
Drum Finish	Machine Chamfered Edges					
Vibrating Drums	Front and Rear or Rear Only (selectable)					
ENGINE & DRIVE	TV800	TV900	TV1000	TV1200	TV1300	TV1400
Engine Make	Kubota	Kubota	Kubota	Kubota	Kubota	Kubota
Engine Model	D1005	D1005	D1703-M	D1703-M	V2203-M	V2203-M
Cylinders	3	3	3	3	4	4
Displacement cc (in <sup>3</sup> )	1001 (61.08)	1001 (61.08)	1647 (100.5)	1647 (100.5)	2197 (134)	2197 (134)
Cooling	Water	Water	Water	Water	Water	Water
Power - kW (HP)	17.5 (23)	17.5 (23)	18.5 (25)	18.5 (25)	32.4 (43.4)	32.4 (43.4)
Operating Speed (rpm)	2500/3000	2500/3000	2300/2800	2300/2800	2300/2800	2300/2800
Fuel Type	Diesel	Diesel	Diesel	Diesel	Diesel	Diesel
Engine Emissions	EPA Tier IV / Euro Stage V				EPA Tier III / Euro Stage IIIA	
Drive (both drums)	Hydrostatic	Hydrostatic	Hydrostatic	Hydrostatic	Hydrostatic	Hydrostatic
Travel Speed kph (mph)	8 (4.9)	8 (4.9)	8 (4.9)	10 (6.2)	10 (6.2)	10 (6.2)
Braking System - Service	Dynamic Hydrostatic (via propulsion system)					
Braking System - Parking	Spring Apply / Hydraulic Release on both drums					
WATERING SYSTEM	TV800	TV900	TV1000	TV1200	TV1300	TV1400
Tank Capacity ltr (gallons (US))	86 (22.7)	86 (22.7)	180 (47.5)	180 (47.5)	200 (52.8)	200 (52.8)
Spray Modes	Gravity / Pressure			Pressure		
ELECTRICAL SYSTEM	TV800	TV900	TV1000	TV1200	TV1300	TV1400
Battery (volts)	12V DC	12V DC	12V DC	12V DC	12V DC	12V DC
Alternator (amp)	30	30	55	55	55	55
LUBRICATION SYSTEM	TV800	TV900	TV1000	TV1200	TV1300	TV1400
Type	Grease - open loop, parallel circuit with centralised greasing points					
EMISSIONS	TV800	TV900	TV1000	TV1200	TV1300	TV1400
Engine	Euro Stage IIIA					
Noise (dBA)	106	106	106	106	106	106
CAPACITIES	TV800	TV900	TV1000	TV1200	TV1300	TV1400
Hydraulic Tank Capacity ltr (gallons (US))	28 (7.4)	28 (7.4)	44 (11.6)	44 (11.6)	44 (11.6)	44 (11.6)
Fuel Tank Capacity ltr (gallons (US))	18 (4.7)	18 (4.7)	44 (11.6)	44 (11.6)	44 (11.6)	44 (11.6)
Water Tank Capacity ltr (gallons (US))	86 (22.7)	86 (22.7)	180 (47.5)	180 (47.5)	200 (52.8)	200 (52.8)
STEERING	TV800	TV900	TV1000	TV1200	TV1300	TV1400
Steering Type	Centrepoint Articulation - Double acting (via single hydraulic ram)					
Inside Turn Radius mm (ft in)	1950 (6'5")	1900 (6'3")	2625 (8'7")	2525 (8'3")	2475 (8'1")	2425 (7'11")
Outside Turn Radius mm (ft in)	2820 (9'3")	2870 (9'5")	3695 (12'1")	3795 (12'5")	3845 (12'7")	3895 (12'9")
Frame Articulation (degrees)	30	30	30	30	30	30
Frame Oscillation (degrees)	8	8	15	15	15	15

## STANDARD EQUIPMENT

Fixed ROPS Frame
Integral Lifting Points
Amber Beacon
Fuel and Hydraulic Oil Tanks Level Gauges (TV1000 to TV1400)
Road Lights - UK Road Traffic Act Compliant (TV1300 and TV1400 only)
Vandal Protection Package - Lockable Instrument Cover to Deter Vandals / Thieves
Site Lights (Dependent on Region)
Centralised Greasing Points for Easy Servicing
Gravity Fed Water System (TV800 to TV1200H only)
Vibration Insulated Operator's Station
Pressurised Water System (TV1300 and TV1400 only)
Deluxe Operator's Seat with Lap Belt and Traction Cut-out Switch - Automatic Stop if Operator Stands Up During Operation
Drum Scraper Bars Front and Rear (both drums)
Articulation Lock Bar
Sliding Operator Seat (TV1200H to TV1400)
Removable Plastic Water and Oil Tanks for Easy Servicing
Fault Finding Lights on Instrument Panel
Low Maintenance Battery
Steering Knob
Single Piece Tilting Engine Hood
6 in 1 Control Lever
Emergency Release Free Wheel Valve (for towing)
Hour Meter

## OPTIONAL EQUIPMENT

Folding ROPS Frame
Audible Reversing Alarm
Road Lights - UK Road Traffic Act Compliant (TV800 to TV1200H)
Sun Canopy (TV1000 to TV1400 only)
Pressurised Water Spray (TV800 to TV1200H)
Hydraulic Breaker Attachment, Tool, Valve and Hosing - 30L/min (TV800 to TV900)

### NOTE

METRIC MEASUREMENTS ARE THE CRITICAL VALUES  
DIMENSIONS ARE TAKEN FROM T152021

- 1 Litre = 0.26417 US Liquid Gallons
- 1 Litre = 0.21997 Imperial Liquid Gallons